
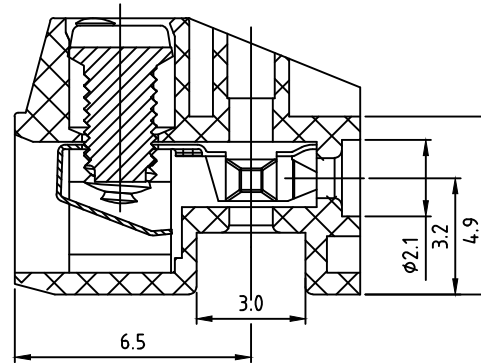
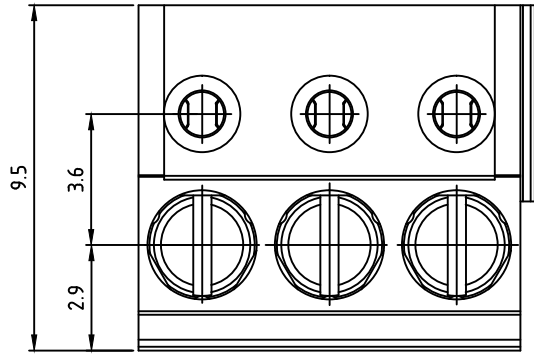


SPECIFICATIONS

- Voltage Rating: 150VAC
- Current Rating: 10 Amps
- Dielectric withstanding: 1.3KV
- Operating Temperature: -40°C to +115°C
- Contact Material: PhBz
- Terminal Screw: Steel Zinc plating "-" slot type
- Insulator Material: Thermoplastic, UL 94V-0
- Wire Range:
- Wire Strip Length: 5-6mm
- Solid/Stranded Wire: 16-28 AWG
- Torque: 1.1Lb-In
- Clamp: Brass(CuZn) Ni plated
- Screw: M2
- Safety Approval:  us



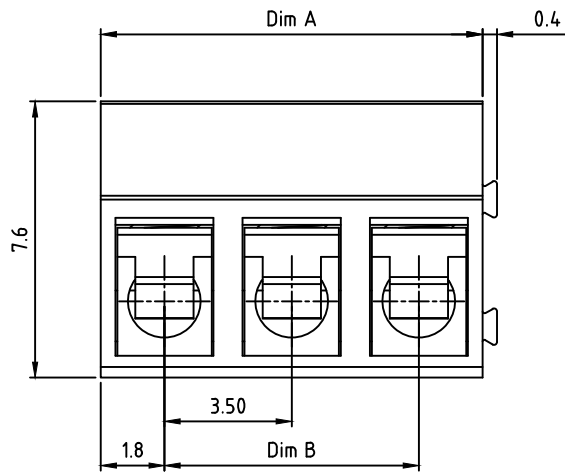
RPVS- xx B A x J-FG

No. OF POLES
02: 2 POLES
:
24: 24 POLES

FG: RoHS Compliant
(Lead <4% in Copper Alloy)

COLOR

- J: Black(RAL9005)
- B: Red(RAL3001/D)
- C: Orange(RAL2011/P)
- D: Yellow(RAL1018/A)
- E: Green(RAL6018/T)
- F: Blue(RAL5015/A)
- H: Grey(RAL7035/D)
- I: White(RAL1102)
- 3: Green(RAL6018/U)



N=Number of poles

Dimensions	
A	N×3.5
B	(N-1)×3.5

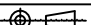
Poles	Tolerance A	Tolerance B
2P-6P	±0.15	±0.15
7P-12P	±0.20	±0.20
13P-18P	±0.25	±0.25
19P-24P	±0.30	±0.25

APTOS Technology CONFIDENTIAL
This document, and all information it contains, are the confidential, proprietary property of APTOS Technology. Disclosure, duplication or distribution of this document, or any information it contains, in whole or part, without prior written permission from APTOS Technology is strictly prohibited

GENERAL TOLERANCE UNLESS OTHERWISE SPECIFIED

XXX. ± X	.XX ± 0.10
XX. ± X	.XXX ± X
X. ± 0.50	X.' ± 1'
.X ± 0.30	.X' ± 1'

AP APTOS TECHNOLOGY

REV. c	DRAWN	01/16/06
DATE 01/16/06	CHECKED	
SCALE As shown	APPROVED	
UNIT mm		SIZE A4

RPVS Series	
3.50 mm Dual Angle Term. Blk	
PRODUCT NO. RPVS-XXBAXJ-FG	
FILE NAME: RPVS-XXBAXJ-FG LF APD.DWG	